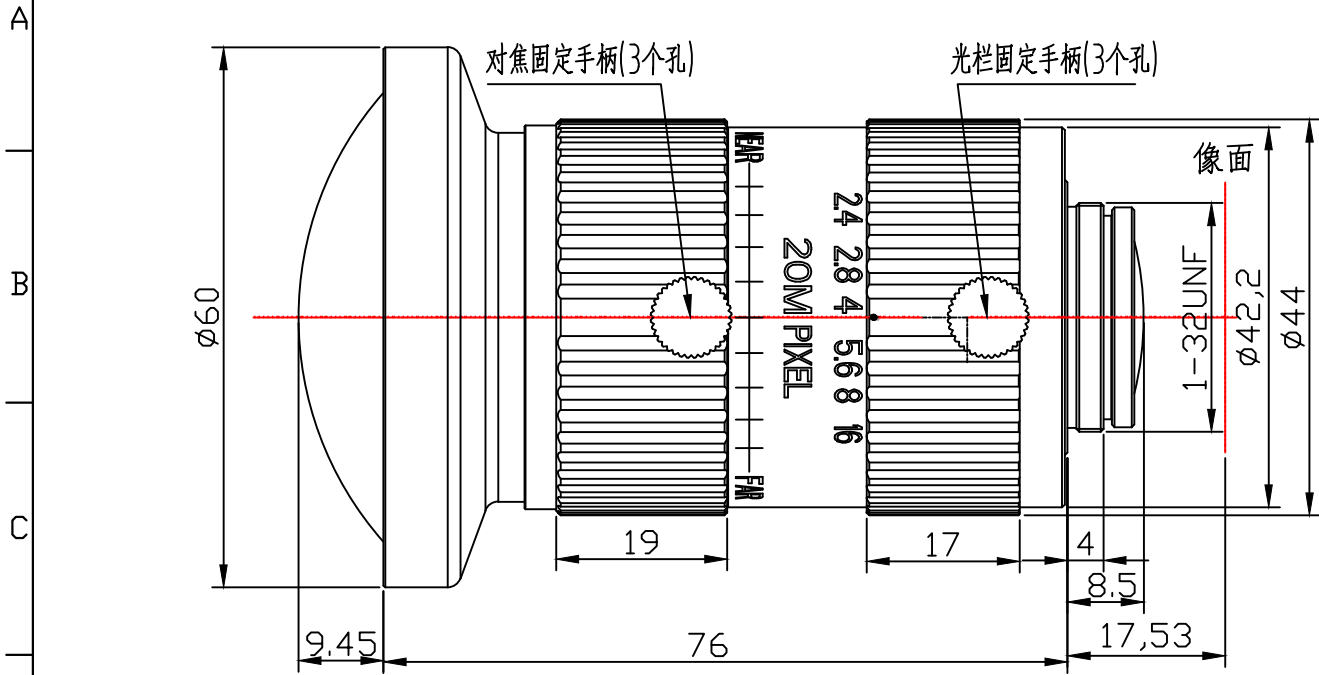


RoHS HF REACH

1.1" F2.4/8.5MM /20MEGA/C MOUNT



FOCAL LENGTH	f=8.5MM
F.NO	F=1:2.4--16
FOCUS DISTANCE	0.1M---无穷远
FLANGE BACK	17.526MM IN AIR
BACK FOCUS	9MM
FILTER SCREW SIZE	无
MOUNT	C
REL. ILLUMINATION	≥65%
Front/Rear Effective Dia	Front φ49.5 Rear φ20.4

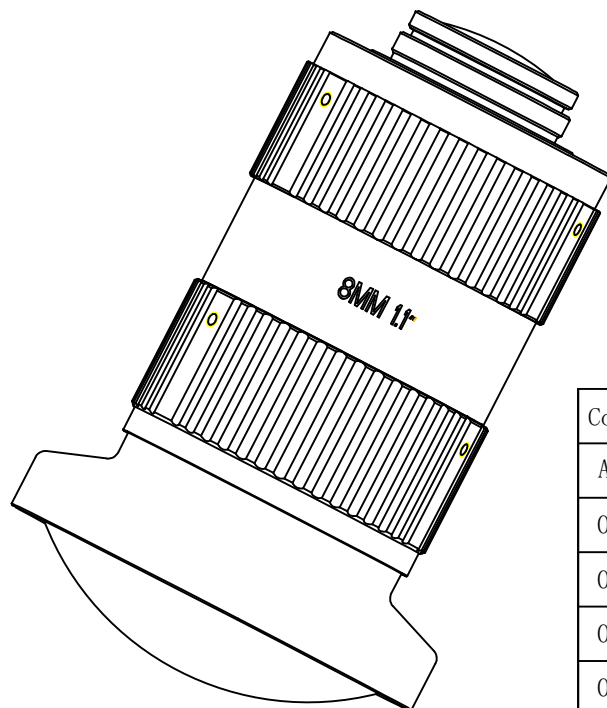
FIELD OF VIEW	SENSOR	1.1"	1"	2/3"
	D	90.3°	85.3°	65.1°
	H	78.4°	73.2°	54.1°
V	63.2°	58.2°	41.8°	

TV DISTORTION	<1%	<0.5%	<0.9%
---------------	-----	-------	-------

WORKING DISTANCE	OPTICAL MAGNIFICATION	1.1" FIELD OF VIEW	
MM		H	V

5000	0.002X	8121.447	6091.085
2000	0.004X	3289.3	2466.983
1000	0.008X	1678.5	1258.9
900	0.009X	1517.467	1138.1
800	0.01X	1356.4	1017.285
700	0.012X	1195.29	896.47
600	0.014X	1034.2	775.64
500	0.016X	873.08	654.8
400	0.020X	711.95	533.91
350	0.022X	631.37	473.527
300	0.026X	550.77	413.083
250	0.03X	470.162	352.622
200	0.036X	389.508	292.131
150	0.046X	308.778	231.58
100	0.062X	227.87	170.9

外观标准	60--40
WORKING TEMPERATURE	-40°C~80°C
STORAGE TEMPERATURE	-40°C~85°C



Common Tolerance	④				
Angle	±0.5°	③			
0.000	±0.01	②			
0.00	±0.03	①			
0.0	±0.05	Rev	Description	Name	Date
0	±0.1	Design	Examine	Checked	Approved

Material:	/
3RD_ANGLE_PROJ	
Unit	mm
Scale	2:1
Ver	00
Date	2018.10.10

Cnomax Vision	
Model:	8.5MM-1.1"-20M-C MOUNT
Part Name:	CNV0820M
Dwg No:	